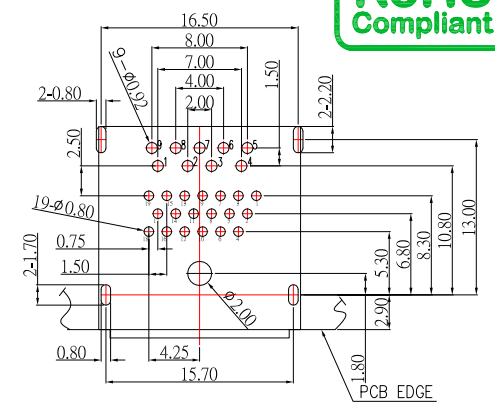
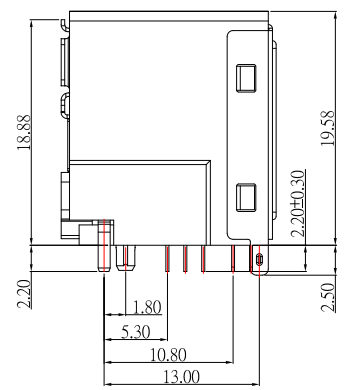
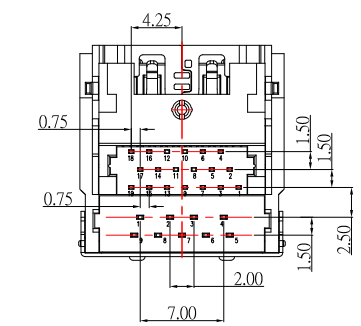
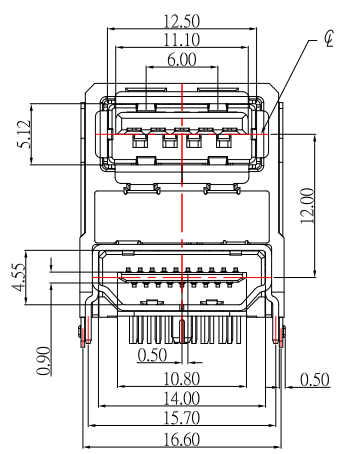
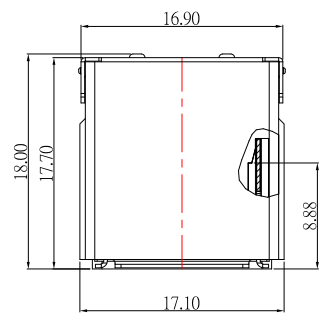




U3HD-01x2x0xx-S373

- INSULATOR MATERIALS
A: UPPER-PBT, LOWER-LCP
- COLOR STYLE
1: ALL BLACK
- HDMI HOUSING CONSTRUCTION
2: WITH POLES
- HDMI-SHELL FINISH
2: NICKEL



P.C.B LAYOUT MOUNTING PATTERN

SPECIFICATIONS

1. USB
 - 1.1 Voltage: 250 VAC(RMS) Max.
 - 1.2 Current Rating: 1.5 Ampere per Pontact
 - 1.3 Contact Resistance: 25 Milliohms Max.
 - 1.4 Insulation Resistance: 1000 Megohms Min.
 - 1.5 Dielectric Withstanding Voltage: 500 VAC(RMS)
 - 1.6 Total Mating Force: 3.57 Kgf Max.
 - 1.7 Total Unmating Force: 1.02 Kgf Min.
 - 1.8 Operating Temperature: -55°C to +85°C
2. HDMI
 - 2.1 Voltage: 40 VAC(RMS) Max.
 - 2.2 Current Rating: 0.5 Ampere per Contact
 - 2.3 Contact Resistance: 30 Milliohms Max.
 - 2.4 Insulation Resistance: 100 Megohms Min.
 - 2.5 Dielectric Withstanding Voltage: 500V DC(RMS)
 - 2.6 Total Mating Force: 4.5 Kgf Max.
 - 2.7 Total Unmating Force: 1.0 Kgf Min.
 - 2.8 Operating Temperature: -55°C to +85°C

NOTES

1. MATERIAL:
 - Housing(USB):PBT,Color:Black.
 - Housing(HDMI):LCP,Color:Black.
 - Terminal:Brass.
 - Shell(USB):SK5.
 - Shell(HDMI):SK5.
 - Shield:SPCC.
 - Grounding:Stainless Steel.
2. FINISH:
 - Terminal:Gold Plated over Nickel at Conatct Area.
 - Tin Plated over Nickel at Solder Area.
 - Shell(USB):Nickel Plated.
 - Shell(HDMI):Nickel Plated.
 - Shield:Nickel Plated.



TOLERANCE UNLESS OTHERWISE STATED :	Up to 5 ±0.2	3RD. ANGEL'S	UNITS	MM
	Above 5 ~ 15 ±0.3			
	Above 15 ~ 30 ±0.4			
	Above 30 ~ 50 ±0.5			
	Angle ±0.3			

DRAWN BY:	DATE	MAT'L	TITLE	CONNECTOR
Jack Lu	05/12/22			
CHECKED BY:	DATE	FINISH	MODLE	單層USB 3.0 AF+HDMI AF
Jacky Chen	05/12/22			
APPROVED BY:	DATE	SCALE	DWG NO.	U3HD-01x2x0xx-S373
Tony Kao	05/12/22	1 : 1	PART NO.	U3HD-01x2x0xx-S373
		SHEET NO.	1 of 1	SIZE A4
				VER R1

ITEM NO.	DESCRIPTION	DRAWN	DATE
1	更新材質	Jack	051222